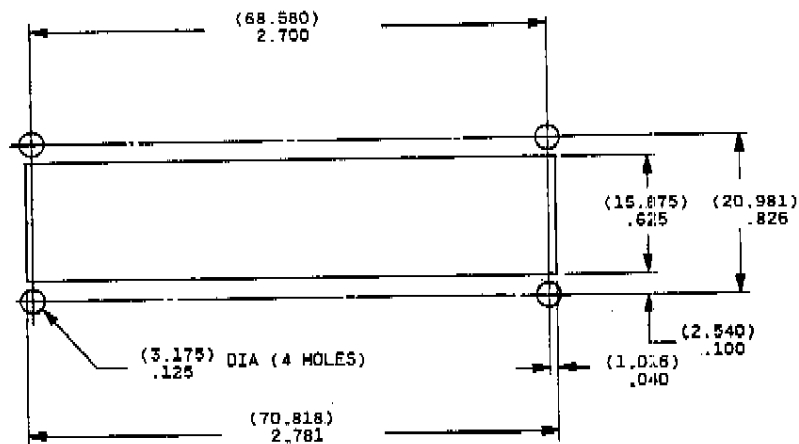
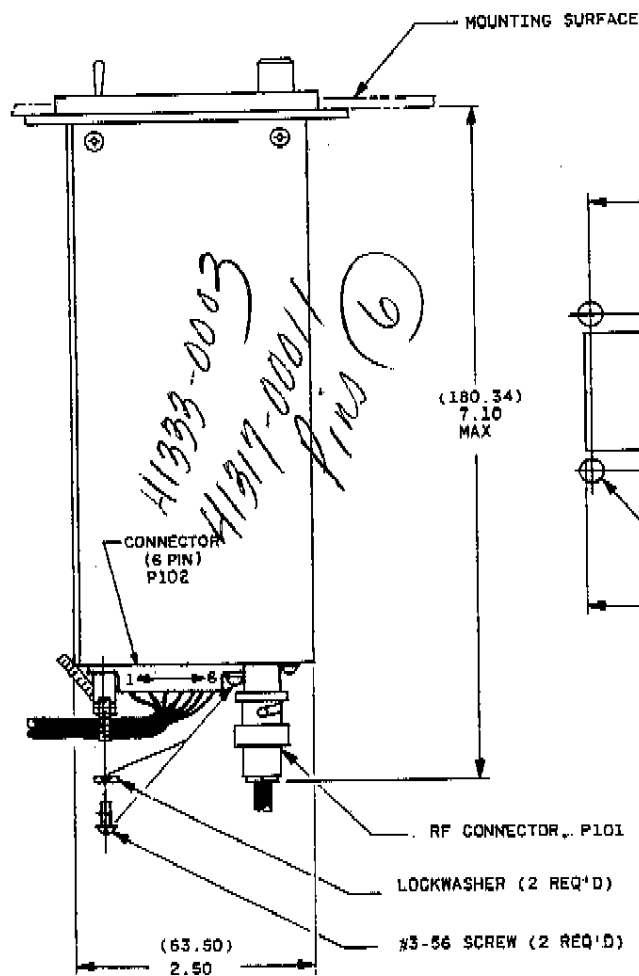
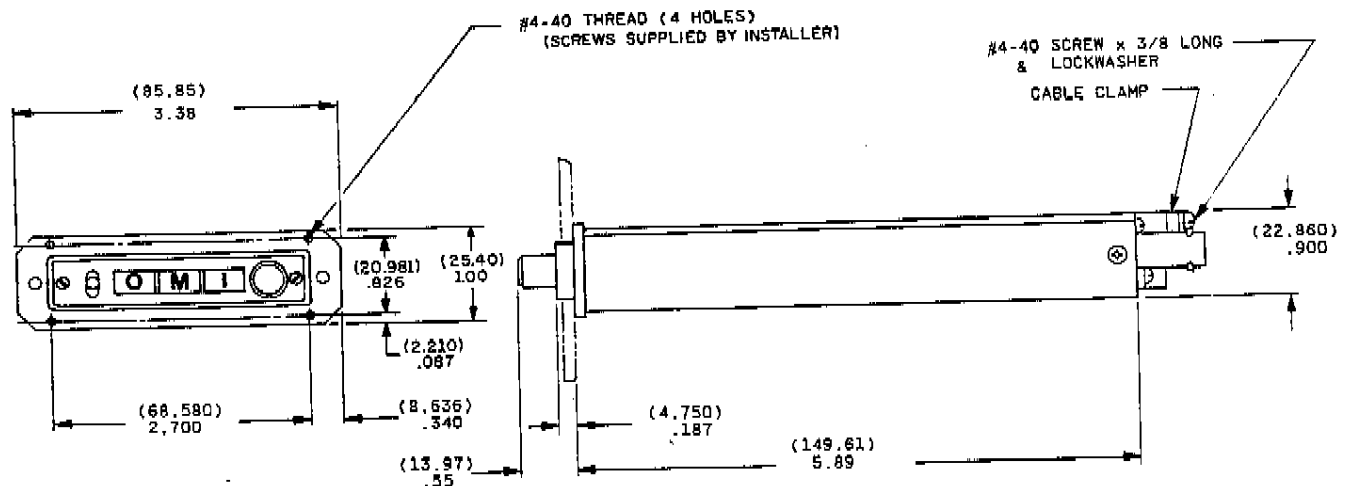
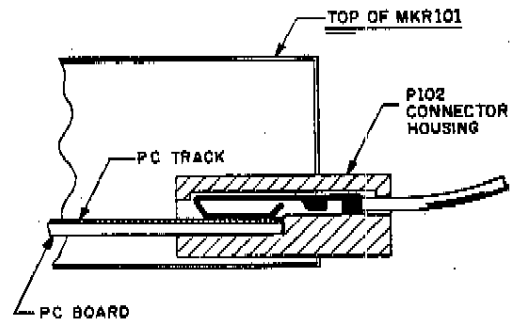


# INSTALLATION SECTION 2



PANEL CUTOUT TEMPLATE



CUTAWAY VIEW — CONNECTOR ORIENTATION

Dimensions within parenthesis ( )  
are millimeters.  
Dimensions without parenthesis  
are inches.

8-227-B

### FIGURE 2-2. MKR 101, MARKER BEACON RECEIVER, REAR MOUNT

# INSTALLATION SECTION 2

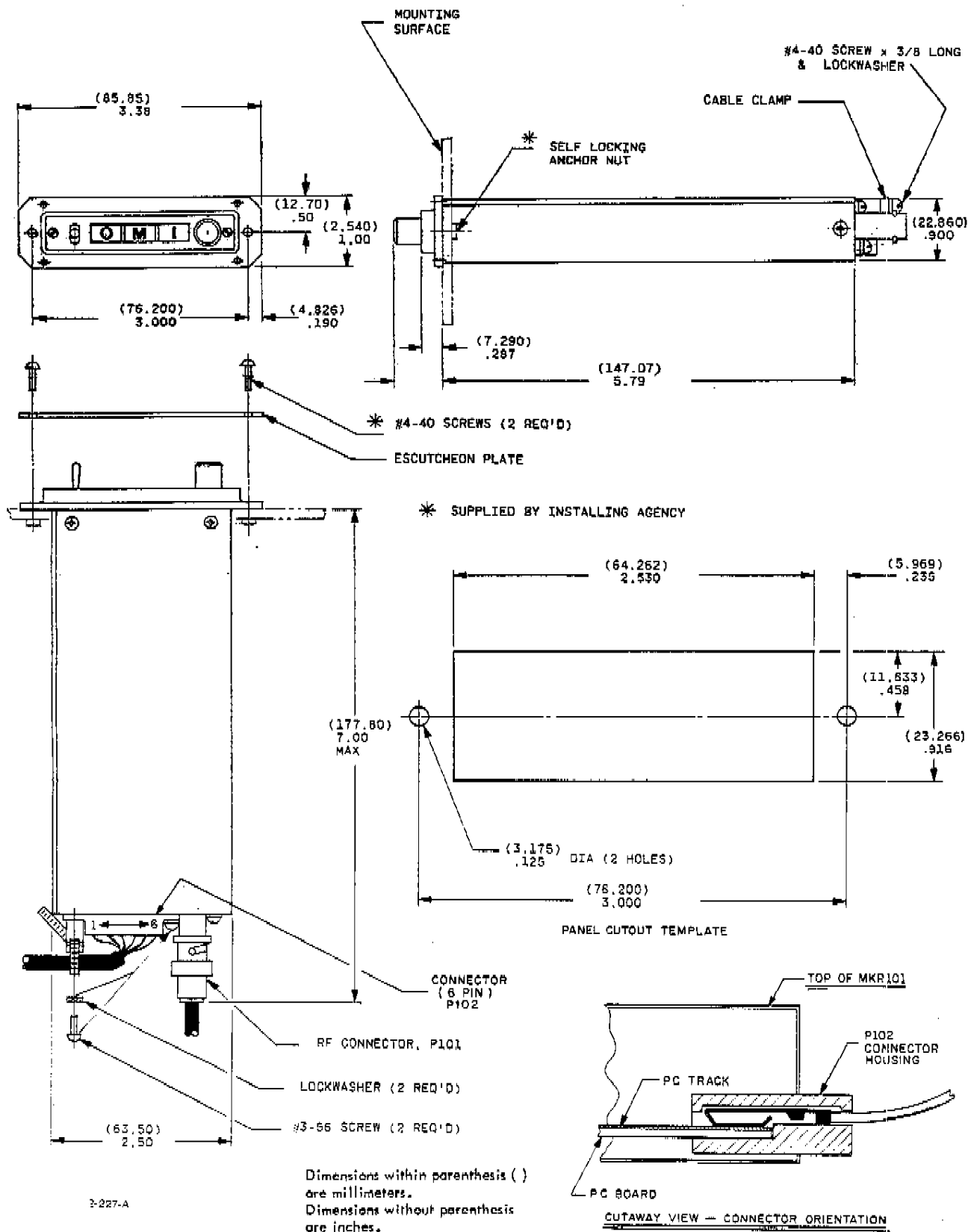
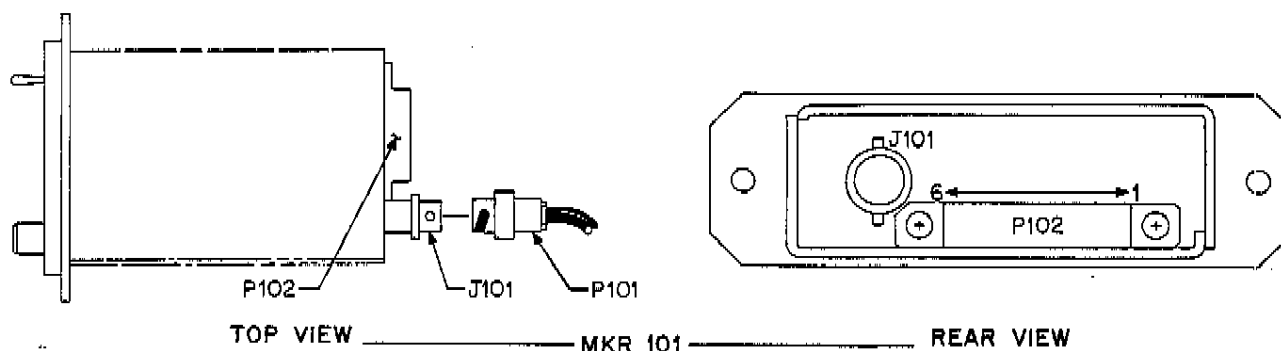
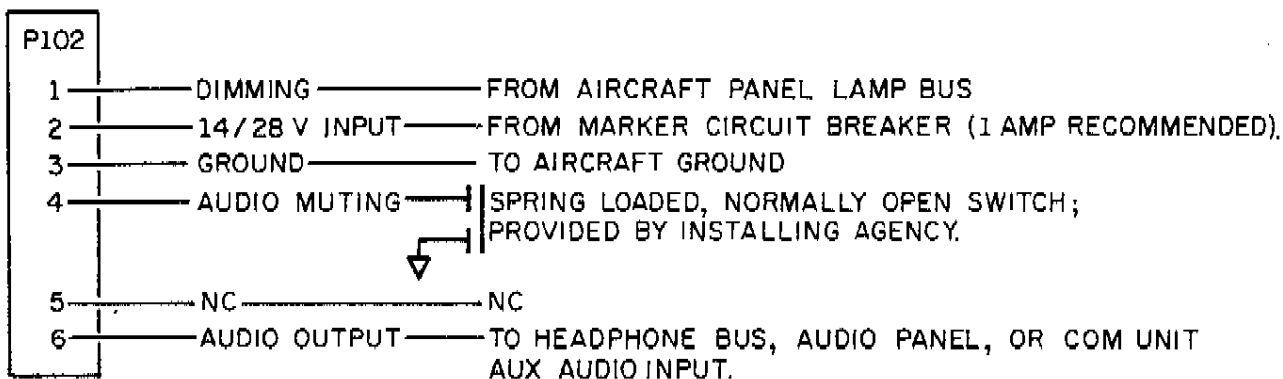


FIGURE 2-1. MKR 101, MARKER BEACON RECEIVER, FRONT MOUNT

**NARCO AVIONICS MKR 101 SERIES**



**P101** ANTENNA COAX CABLE (RG58A/U) TO MARKER BEACON ANTENNA.  
TO BE SUPPLIED BY INSTALLING AGENCY.



- NOTES:**
1. ALL WIRE SHOULD BE #22 OR LARGER.
  2. IF AUDIO MUTING IS NOT REQUIRED, DO NOT CONNECT TO J102 PIN 4.

**FIGURE 2-18. MKR 101 WIRING DIAGRAM**